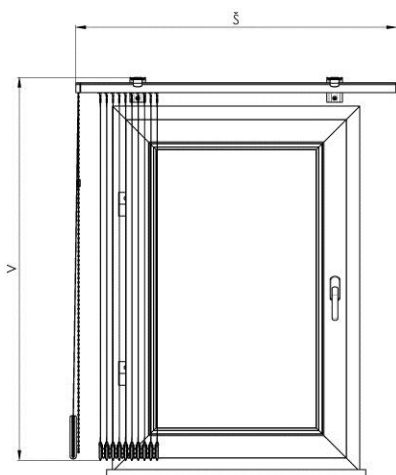


VERTICAL BLINDS



1. MEASUREMENTS

The blind can be positioned into or in front of the hole (on the ceiling or the wall).

The width and height are measured in the following manner:

w.... (width)

a) fitting into the hole.

The real width of the hole is measured, the value less 5 mm than the real width of the hole is recorded in the order sheet.

b) fitting onto the hole.

The width is recorded in the order sheet

It is greater by 200 mm than the real width of the hole. The height of the blind is produced with a precision of millimetres up to the height of 6,000 mm.

Assembly on the ceiling Assembly on the wall

h (height)

The total height, including the upper profile, is measured

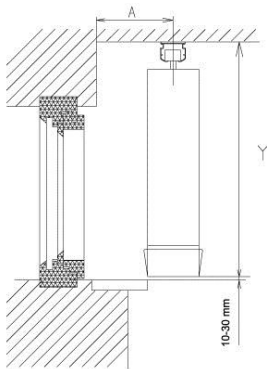
a) height from the parapet.

The real total height is decreased by 10 to 30 mm, this value is recorded in the order sheet.

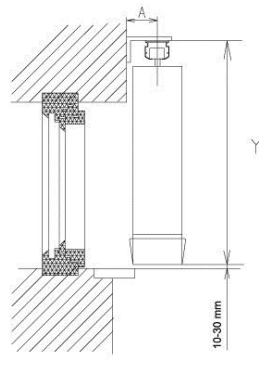
b) height to the floor

The real total height is decreased by 30 to 50 mm, and this value is recorded in the order sheet.

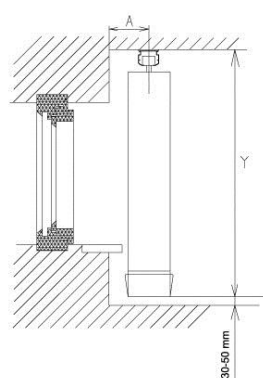
Assembly on the ceiling



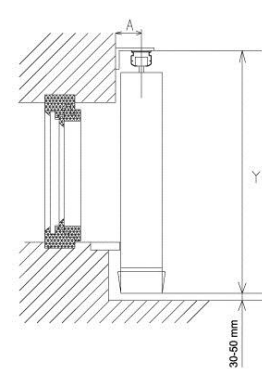
Assembly on the wall



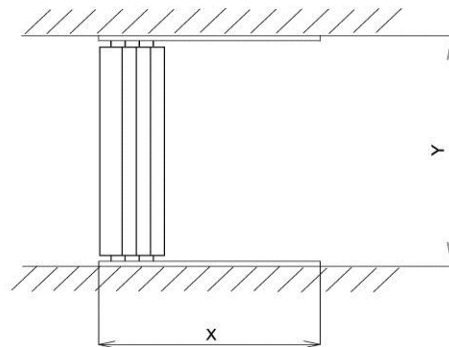
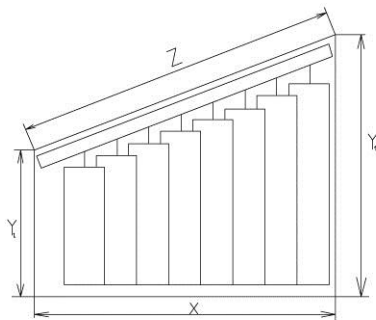
Assembly on the ceiling



Assembly on the wall



It is recommended to consult with the manufacturer for measurement and assembly of external blinds with untypical dimensions (i.e. bevelled, arched, etc.).



LENGTH OF THE CONTROL:

- according to the requirements of the client. If not mentioned, 2/3 of the height of the blind is chosen.

2. ASSEMBLY

Assemble exactly according to this manual to prevent redundant assembly errors and other related problems.

AIDS FOR ASSEMBLY:

- tape measure
- pencil
- spirit level
- electric drill as per the source material
- cordless electric drill
- magnetic adapter, bits PZ2, PZ1
- hammer tab
- screws, dowels
- knife, scissors

	assembly on ceiling	assembly on the wall	Assembly on ceiling (plasterboard)
screw/dowel	4 mm /8 mm	4 mm /8 mm	3 mm x 20 / BIT, dowel Fischer
screw driver Ø	8 mm	8 mm	-----

INSPECTION:

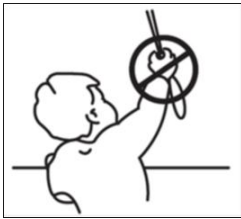
- before assembly we recommend inspecting all the parts after the delivery of the goods to prevent any problems. Any defects or comments concerning the assembly or blinds must be notified to the manufacturer.

INSTALLATION:
ASSEMBLY
a) assembly into the ceiling

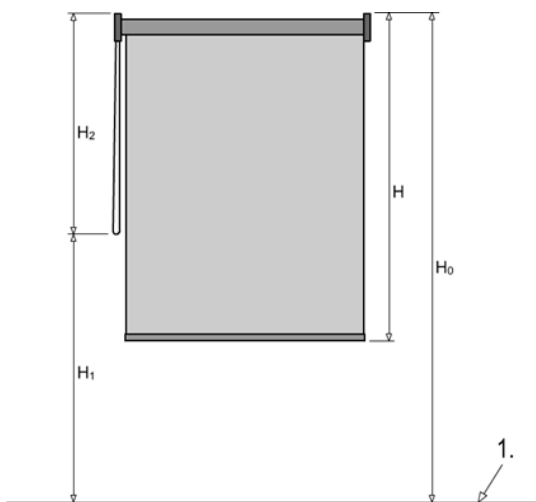
- drill the required number of holes according to the number of delivered clamps for dowels with the diameter 8 mm, within the distance minimally 80 mm from the perpendicular wall
- attach the clips using the screws (the length of screws is stated according to the structure of the ceiling material)
- click upper profile I into the prepared clips
- turn the charts using the control chain so that they are suspended perpendicularly to the upper profile
- suspend the lamellas
- inspect the turning and winding

b) assembly on the wall

- mark holes for fixation of the consoles (two holes for one console)
- drill holes with a diameter of 8 mm
- insert dowels
- screw consoles with clamps
- click upper profile I into the prepared clips
- turn the charts using the control chain so that they are suspended perpendicularly to the upper profile
- suspend the lamellas
- inspect the turning and winding

ATTENTION!


Pursuant to the EN 13120:2014 standard, window blinds shall be installed in accordance with the following instructions:


Cord controls:

The blinds shall meet the following requirements:

If fully pulled up, the pull cord(s) length shall be limited (the reel shall be located as follows):

If installation height (H_0) is not specified, and

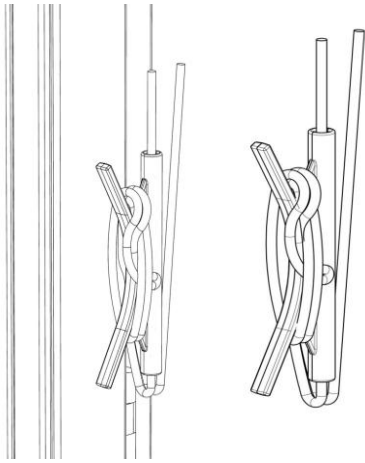
- i) if the blind height (H) is less than or equal to 2.5 m, the length of the pull cord(s) (H_2) shall be less than or equal to 1 m (see Fig.): $H_2 \leq 1$ m.
- ii) if the blind height (H) exceeds 2.5 m, the length of the pull cord(s) (H_2) shall be less than or equal to the height of the blind minus the value of 1.5 m (see Fig.): $H_2 \leq H - 1.5$ m.

If installation height (H_0) is specified, the distance from the floor to the bottom part of the pull cord(s) (H_1) shall be at least 1.5 m (see Fig.): $H_1 > 1.5$ m.

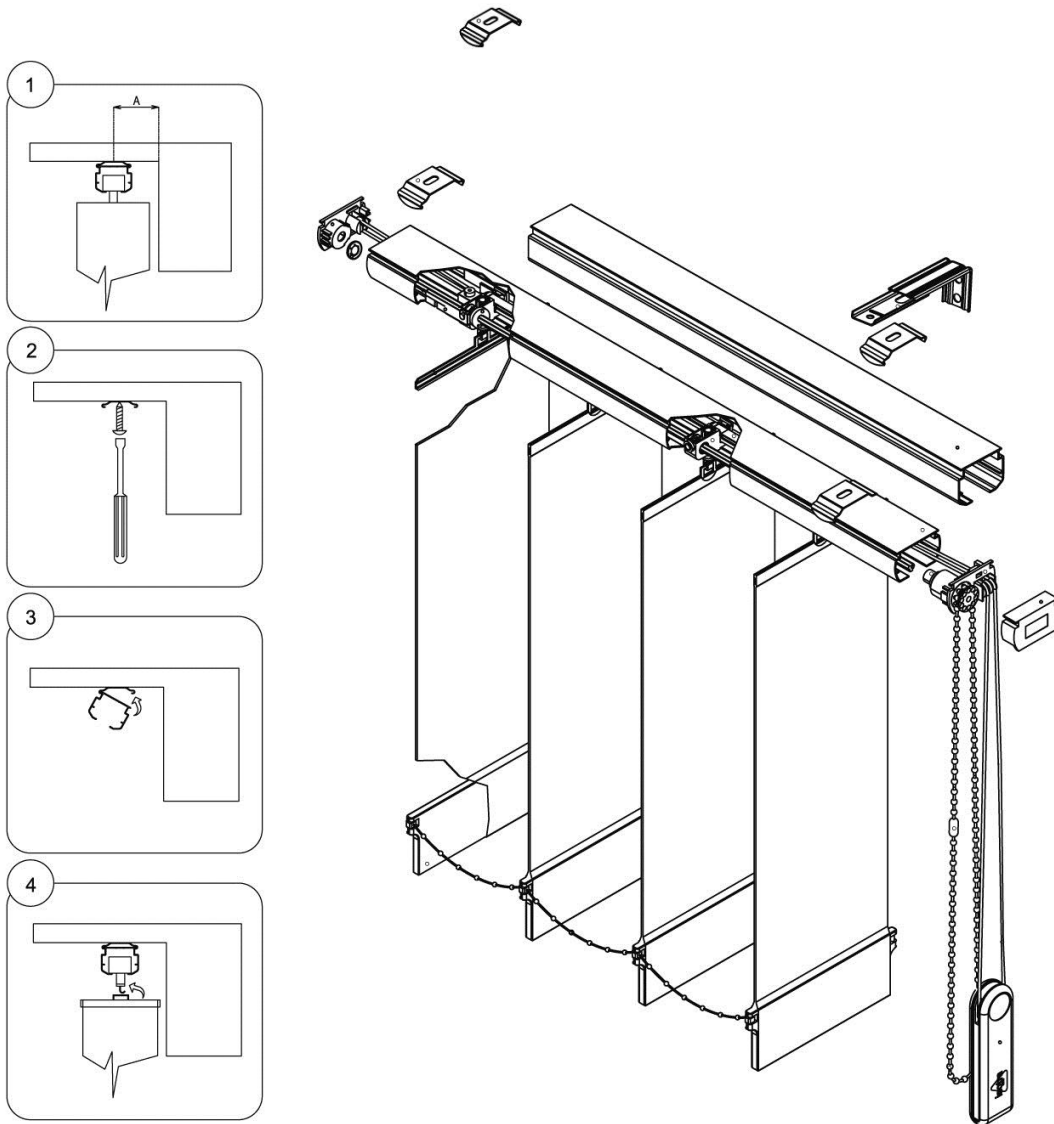
The pull cords shall meet the following requirements:

In case of two pull cords:

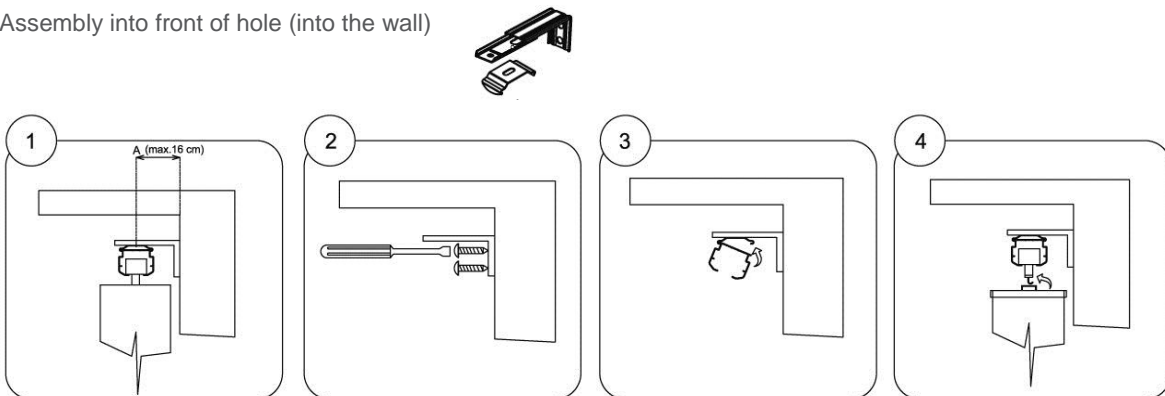
the pull cords must never entangle.



Assembly into the hole (into the ceiling)



Assembly into front of hole (into the wall)



VERTICAL BLINDS – WIDTH OF THE PACKET

WIDTH OF THE PACKET – CONTROL TYPE 1, TYPE 2

Width of the packet (a) v mm = (number of trucks -1) x 10.8 mm

Note: 1 track = 10.8 mm

Width of the bind (mm)	Width of the blind (a) (mm)			
	Lamella 127 mm		Lamella 89 mm	
	a	b + c	a	b + c
1000	86	78,5	130	59,5
1500	130	78,5	195	59,5
2000	184	78,5	270	59,5
2500	227	78,5	335	59,5
3000	270	78,5	400	59,5
3500	313	78,5	475	59,5
4000	367	78,5	540	59,5
4500	410	78,5	605	59,5
5000	454	78,5	680	59,5
5500	508	78,5	745	59,5
5950	551	78,5	810	59,5

(b) Control mechanism = 15 mm

(c) ½ width of the lamella = 127 / 2 = 63.5 mm, or 89 / 2 = 44.5 mm

Width of the packet – control type 3, type 4 (curtain)

Width of the packet mm = (number of trucks / 2 – 1) x 10.8 mm

Note: 1 track = 10.8 mm

Width of the bind (mm)	Width of the blind (a) (mm)					
	Lamella 127 mm			Lamella 89 mm		
	Left side		Right side	Left side		Right side
	a	b + c	a	a	b + c	a
1000	49	78,5	49	70	59,5	70
1500	70	78,5	70	103	59,5	103
2000	92	78,5	92	135	59,5	135
2500	113	78,5	113	167	59,5	167
3000	135	78,5	135	200	59,5	200
3500	167	78,5	167	243	59,5	243
4000	189	78,5	189	275	59,5	275
4500	211	78,5	211	308	59,5	308
5000	232	78,5	232	340	59,5	340
5500	254	78,5	254	373	59,5	373
5950	275	78,5	275	405	59,5	405

(b) Control mechanism = 15 mm

(c) $\frac{1}{2}$ width of the lamella = $127 / 2 = 63.5$ mm, or $89 / 2 = 44.5$ mm

